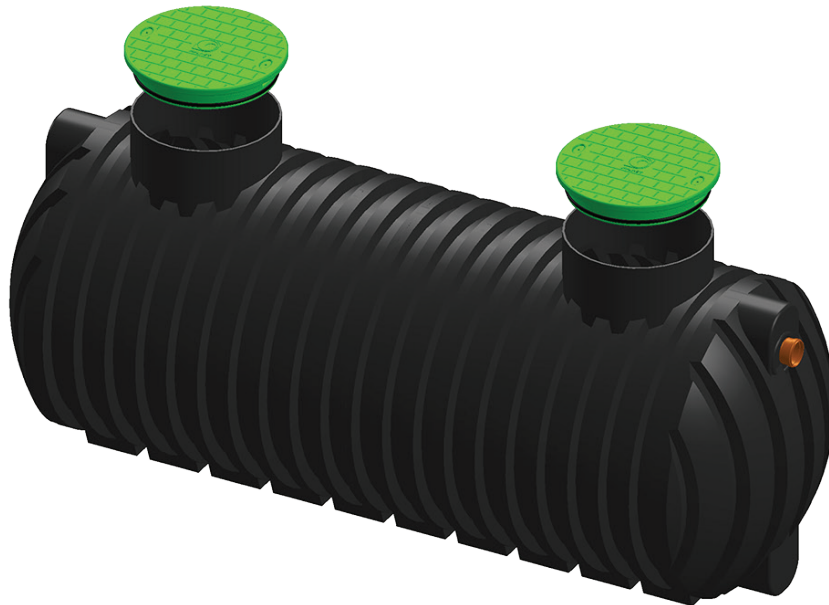


# SEPTIC TANKS

for collecting sewage from households, industry, etc.



## ADVANTAGES OF POLYETHYLENE SEPTIC TANKS



### HIGH QUALITY

septic tanks are made of polyethylene according to EN 12 566-1



### QUICK INSTALLATION AND SIMPLE USE

the products are characterised by their practical use as well as fast and simple emptying



### ROBUST DESIGN

made with rotational moulding



### 50-YEAR WARRANTY

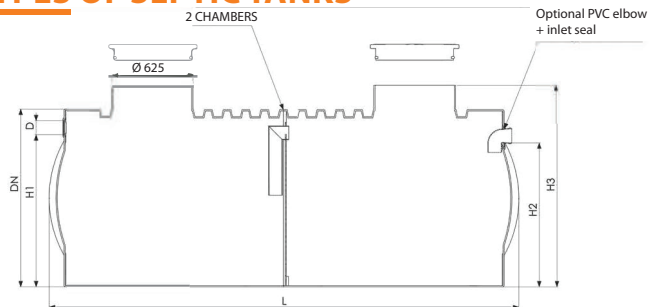
on the durability of the material



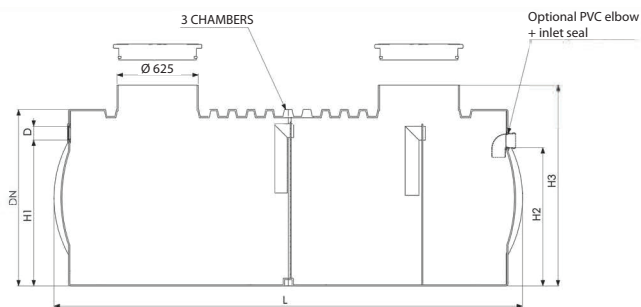
### FAST DELIVERY

Organised transport and fast delivery

## TYPES OF SEPTIC TANKS



2-chamber septic tank



3-chamber septic tank

## TECHNICAL DATA FOR ONE-PIECE SEPTIC TANKS

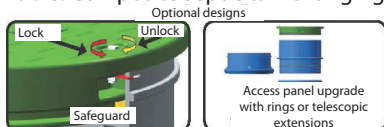
One-piece septic tank type	Diameter DN [mm]	Connector D [mm]	Length L [mm]	Inlet pipe height H1 [mm]	Outlet pipe height H2 [mm]	Height H3 [mm]	Volume [L]
2,000L 2-chamber	1,400	110	1,470	1,205	1,145	1,700	2,000
2,500L 2-chamber	1,400	110	1,750	1,205	1,145	1,700	2,500
3,000L 2-chamber	1,400	110	2,360	1,205	1,145	1,700	3,000
3,000L 3-chamber	1,400	110	2,360	1,205	1,145	1,700	3,000
5,000L 2-chamber	1,400	110	3,500	1,205	1,145	1,700	5,000
5,000L 3-chamber	1,400	110	3,500	1,205	1,145	1,700	5,000
8,000L 2-chamber	1,750	160	4,020	1,505	1,445	2,000	8,000
8,000L 3-chamber	1,750	160	4,020	1,505	1,445	2,000	8,000
10,000L 2-chamber	1,750	160	4,950	1,505	1,445	2,000	10,000
10,000L 3-chamber	1,750	160	4,950	1,505	1,445	2,000	10,000
12,000L 2-chamber	1,750	160	5,870	1,505	1,445	2,000	12,000
12,000L 3-chamber	1,750	160	5,870	1,505	1,445	2,000	12,000
16,000L 2-chamber	2,300	160	4,880	2,100	1,980	2,600	16,000
16,000L 3-chamber	2,300	160	4,880	2,100	1,980	2,600	16,000
20,000L 2-chamber	2,300	160	5,850	2,100	1,980	2,600	20,000
20,000L 3-chamber	2,300	160	5,850	2,100	1,980	2,600	20,000
30,000L 2-chamber	2,300	160	8,580	2,100	1,980	2,600	30,000
30,000L 3-chamber	2,300	160	8,580	2,100	1,980	2,600	30,000
40,000L 2-chamber	2,300	160	11,300	2,100	1,980	2,600	40,000
40,000L 3-chamber	2,300	160	11,300	2,100	1,980	2,600	40,000
50,000L 2-chamber	2,300	160	13,500	2,100	1,980	2,600	50,000
50,000L 3-chamber	2,300	160	13,500	2,100	1,980	2,600	50,000

Table: One-piece septic tanks ranging from 2,000L to 50,000L

## TECHNICAL DATA FOR COMPOSITE SEPTIC TANKS

Composite septic tank type	CHAMBER 1 Volume [L]	CHAMBER 2 Volume [L]	CHAMBER 3 Volume [L]	Diameter DN [mm]	Diameter DN2 [mm]	Diameter D [mm]	Inlet pipe height H1 [mm]	Outlet pipe height H2 [mm]	Height H3 [mm]	Height H [mm]
16,000L 2-chamber	8,000 XXL	8,000 XXL		2,300		160	2,100	2,050	2,600	
16,000L 3-chamber	8,000 XXL	5,000 XL	3,500 XL	2,300	1,750	160	2,100	1,450	2,600	500
20,000L 2-chamber	10,000 XXL	10,000 XXL		2,300		160	2,100	2,050	2,600	
20,000L 3-chamber	10,000 XXL	7,000 XL	3,500 XL	2,300	1,750	160	2,100	1,450	2,600	500
30,000L 2-chamber	20,000 XXL	10,000 XXL		2,300		160	2,100	2,050	2,600	
30,000L 3-chamber	12,000 XXL	10,000 XXL	8,000 XXL	2,300		160	2,100	2,000	2,600	
40,000L 2-chamber	20,000 XXL	20,000 XXL		2,300		160	2,100	2,050	2,600	
40,000L 3-chamber	20,000 XXL	10,000 XXL	10,000 XXL	2,300		160	2,100	2,000	2,600	
50,000L 2-chamber	30,000 XXL	20,000 XXL		2,300		160	2,100	2,050	2,600	
50,000L 3-chamber	20,000 XXL	20,000 XXL	10,000 XXL	2,300		160	2,100	2,000	2,600	

Table: Composite septic tanks ranging from 16,000L to 50,000L



Technical data for composite septic tank enclosures and reservoirs are presented on AQUAstay reservoirs leaflet.

**APLAST**

APLAST proizvodnja in trgovina, d. o. o.  
Ložnica pri Žalcu 37, 3310 Zalec, Slovenija  
www.aplast.si | info@aplast.si



Your seller: