

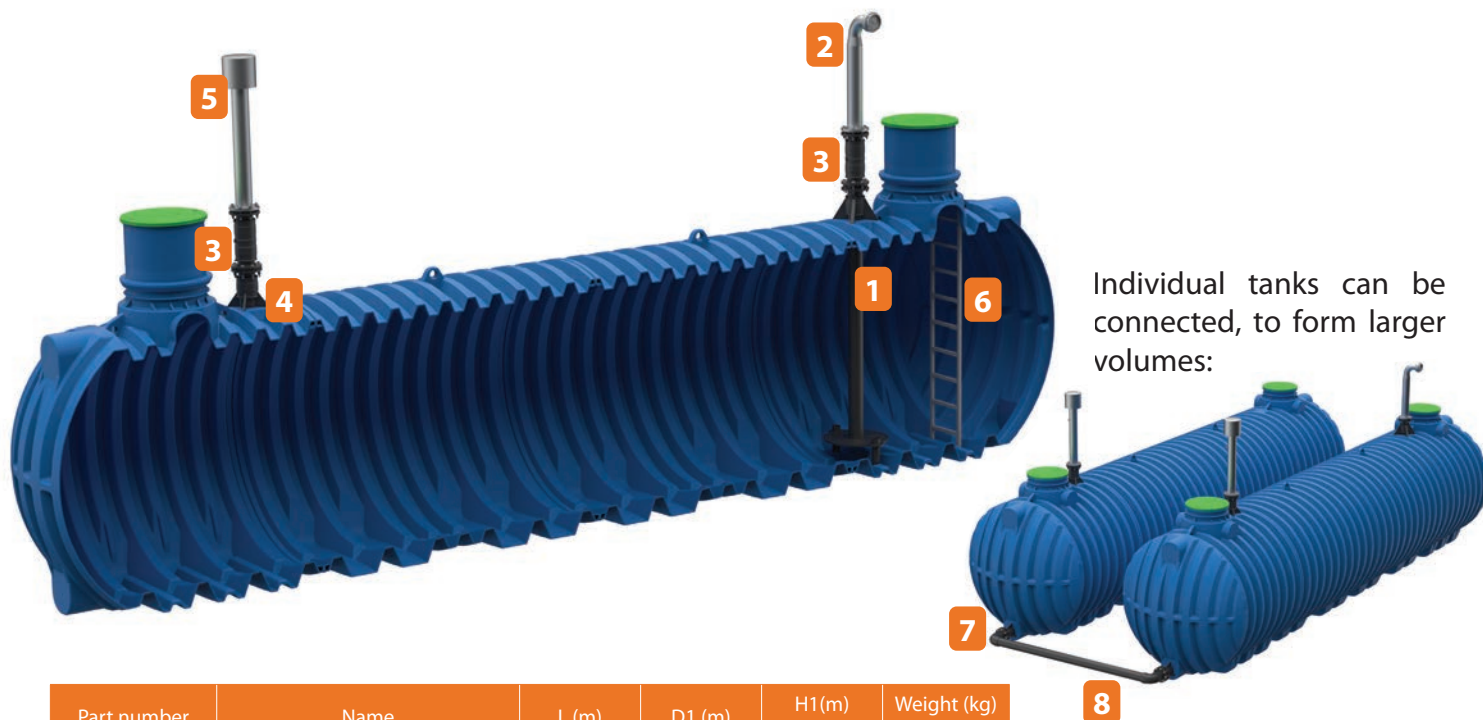
# AQUAstay FireStop



For preventive fire protection, a sufficient quantity of water for extinguishing is prescribed by law. Firewater tanks are underground tanks with one or more suction connections. The tanks are made of PE material according to SIST EN12566-1 with the Slovenian Technical Approval No. 11/0003. They ensure the supply of firefighting water and can be filled with rainwater and/or public water supply. In addition to DIN 14230, DIN EN 1717 and relevant regulations must be adhered to.

The tanks can also be used as retention tanks. Various suction connections according to DIN 14244 are available. Overflow protection and the lower connection piece are coordinated according to requirements.

## AQUAstay FireStop XXL tanks



Individual tanks can be connected, to form larger volumes:

Part number	Name	L (m)	D1 (m)	H1(m) *	Weight (kg) **
214310930	AQUAstay 16.000l - XXL	4,80	2,20	2,60	515
214310940	AQUAstay 18.000l - XXL	5,30	2,70	2,60	551
214310950	AQUAstay 20.000l - XXL	5,80	3,20	2,60	591
214311100	AQUAstay 30.000l - XXL	8,50	5,90	2,60	850
214311200	AQUAstay 40.000l - XXL	11,25	8,65	2,60	1.108
214311300	AQUAstay 50.000l - XXL	13,50	10,90	2,60	1.326

NOTE:

\* Height H1 with ring DN625x500 is 3,1m

\*\* Tank weight without connections

In case of a drinking water system, you need to contact manufacturer.

## Firefighting connections

Type of firefighting coupling AQUAstay FireStop XXL			
Pos.	A110	A125	A150
1	<b>214390910</b> - FIREFIGHTING CONNECTION - SUCTION PIPE XXL WITH FLANGE DN125/PN10	<b>214390911</b> - FIREFIGHTING CONNECTION - SUCTION PIPE XXL WITH FLANGE DN150/PN10	<b>214390912</b> - FIREFIGHTING CONNECTION - SUCTION PIPE XXL WITH FLANGE DN200/PN10
2	<b>214390750</b> - FIREFIGHTING CONNECTION - INOX DN125/PN10-COUPLING A110 L=1000MM	<b>214390751</b> - FIREFIGHTING CONNECTION - INOX DN150/PN10-COUPLING A125 L=1000MM	<b>214390752</b> - FIREFIGHTING CONNECTION - INOX DN200/PN10-COUPLING A150 L=1000MM
3	<b>214390870</b> - FIREFIGHTING CONNECTION - PE ADAPTER DN125/PN10 L=500MM	<b>214390871</b> - FIREFIGHTING CONNECTION - PE ADAPTER DN150/PN10 L=500MM	<b>214390872</b> - FIREFIGHTING CONNECTION - PE ADAPTER DN200/PN10 L=500MM
4	<b>214390830</b> - FIREFIGHTING CONNECTION - FLANGE DN125/PN10	<b>214390831</b> - FIREFIGHTING CONNECTION - FLANGE DN150/PN10	<b>214390832</b> - FIREFIGHTING CONNECTION - FLANGE DN200/PN10
5	<b>214390790</b> - FIREFIGHTING CONNECTION - AIR VENT INOX DN125/PN10 L=1000MM	<b>214390791</b> - FIREFIGHTING CONNECTION - AIR VENT INOX DN150/PN10 L=1000MM	<b>214390792</b> - FIREFIGHTING CONNECTION - AIR VENT INOX DN200/PN10 L=1000MM
6	<b>214390515</b> - LADDER AQUASTAY XXL ALU	<b>214390515</b> - LADDER AQUASTAY XXL ALU	<b>214390515</b> - LADDER AQUASTAY XXL ALU
7	<b>214390991</b> - FIREFIGHTING CONNECTION - CONNECTING FLANGE DN150/PN10	<b>214390992</b> - FIREFIGHTING CONNECTION - CONNECTING FLANGE DN200/PN10	<b>214390993</b> - FIREFIGHTING CONNECTION - CONNECTING FLANGE DN250/PN10
8	<b>214350590</b> - CONNECTING PIPE DN150 PN10 L=3500 MM	<b>214350591</b> - CONNECTING PIPE DN200 PN10 L=3500 MM	<b>214350592</b> - CONNECTING PIPE DN250 PN10 L=3500 MM

# AQUAstay Fire Stop FLAT tanks



Part number	Name	L (m)	D1 (m)	H1(m) *	Weight (kg) **
214344600	AQUAstay 15.000l - FLAT	8,00	6,86	1,50	700
214346950	AQUAstay 20.000l - FLAT	10,60	9,46	1,50	910
214344955	AQUAstay 25.000l - FLAT	13,10	11,96	1,50	1.130

NOTE:

\* Height H1 with ring DN625x500 is 2 m

\*\* Tank weight without connections

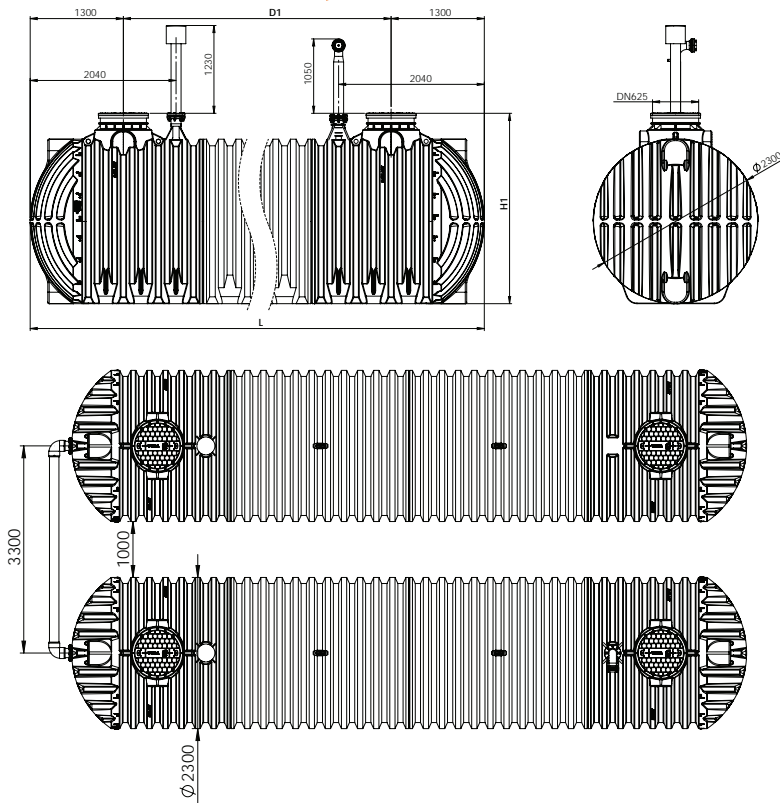
In case of a drinking water system, you need to contact manufacturer.

## Firefighting connections

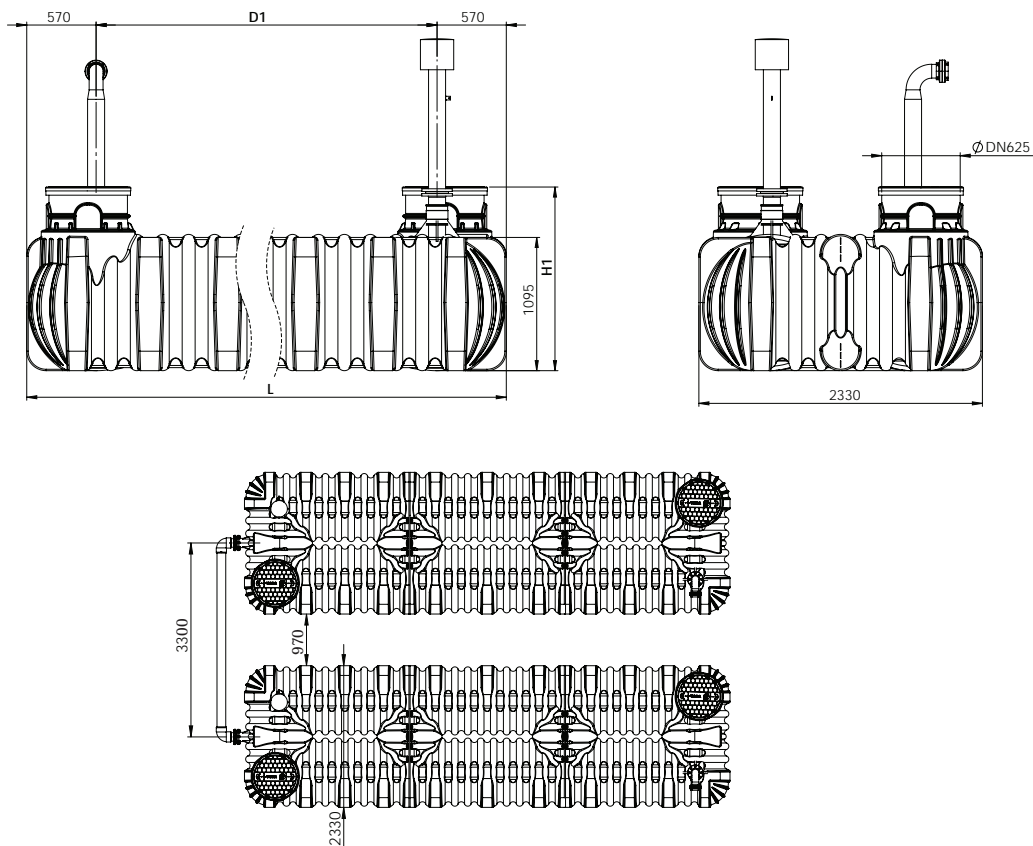
Type of firefighting coupling AQUAstay FireStop FLAT			
Pos.	A110	A125	A150
1	<b>214390950</b> - FIREFIGHTING CONNECTION - SUCTION PIPE FLAT WITH FLANGE DN125/PN10	<b>214390951</b> - FIREFIGHTING CONNECTION - SUCTION PIPE FLAT WITH FLANGE DN150/PN10	<b>214390952</b> - FIREFIGHTING CONNECTION - SUCTION PIPE FLAT WITH FLANGE DN200/PN10
2	<b>214390750</b> - FIREFIGHTING CONNECTION - INOX DN125/PN10-COUPLING A110 L=1000MM	<b>214390751</b> - FIREFIGHTING CONNECTION - INOX DN150/PN10-COUPLING A125 L=1000MM	<b>214390752</b> - FIREFIGHTING CONNECTION - INOX DN200/PN10-COUPLING A150 L=1000MM
3	<b>214390870</b> - FIREFIGHTING CONNECTION - PE ADAPTER DN125/PN10 L=500MM	<b>214390871</b> - FIREFIGHTING CONNECTION - PE ADAPTER DN150/PN10 L=500MM	<b>214390872</b> - FIREFIGHTING CONNECTION - PE ADAPTER DN200/PN10 L=500MM
4	<b>214390830</b> - FIREFIGHTING CONNECTION - FLANGE DN125/PN10	<b>214390831</b> - FIREFIGHTING CONNECTION - FLANGE DN150/PN10	<b>214390832</b> - FIREFIGHTING CONNECTION - FLANGE DN200/PN10
5	<b>214390790</b> - FIREFIGHTING CONNECTION - AIR VENT INOX DN125/PN10 L=1000MM	<b>214390791</b> - FIREFIGHTING CONNECTION - AIR VENT INOX DN150/PN10 L=1000MM	<b>214390792</b> - FIREFIGHTING CONNECTION - AIR VENT INOX DN200/PN10 L=1000MM
7	<b>214390991</b> - FIREFIGHTING CONNECTION - CONNECTING FLANGE DN150/PN10	<b>214390992</b> - FIREFIGHTING CONNECTION - CONNECTING FLANGE DN200/PN10	<b>214390993</b> - FIREFIGHTING CONNECTION - CONNECTING FLANGE DN250/PN10
8	<b>214350590</b> - CONNECTING PIPE DN150 PN10 L=3500 MM	<b>214350591</b> - CONNECTING PIPE DN200 PN10 L=3500 MM	<b>214350592</b> - CONNECTING PIPE DN250 PN10 L=3500 MM



# Technical drawing AQUAstay FireStop XXL tanks



# Technical drawing AQUAstay FireStop FLAT tanks



APLAST proizvodnja in trgovina, d. o. o.  
Ložnica pri Žalcu 37, 3310 Žalec, Slovenia  
www.aplast.si | info@aplast.si



Your retailer: