

# CARAVAN

## DRINKING AND WASTE WATER TANKS



The automotive industry plays a crucial role in the development and prosperity of Europe. We have met the strict requirements in the automotive industry with the production of tanks for the caravan industry. Through quality and cooperation in the development projects, we are managing to win an increasing number of customers.

We have developed the caravan tank type program for drinking and wastewater due to an increasing demand for tanks with standard dimensions, high-quality fabrication, and affordable prices.



## ▶ Contents

### DRINKING WATER TANKS

<b>Drinking water tanks, volume 36 L, 47 L, 55 L, 70 L or 90 L</b>	<b>4</b>
<b>700000610 - Drinking water tank: UniSide</b>	<b>5</b>
<b>700000612 - Drinking water tank: UniSide with outlet nozzle</b>	<b>5</b>
<b>700000600 - Drinking water tank 112 L – right back side + outlet nozzle</b>	<b>6</b>
<b>700000606 - Drinking water tank 112 L – left back side + outlet nozzle</b>	<b>7</b>
<b>700000605 - Drinking water tank 112 L – left back side, no outlet nozzle</b>	<b>8</b>
<b>700000720 - Drinking water tank 93 L – left back side</b>	<b>9</b>
<b>700000700 - Drinking water tank 65 L – left back side</b>	<b>10</b>

### DRINKING AND WASTE WATER TANKS

<b>700000710 - Drinking or wastewater tank 28 L – left back side</b>	<b>11</b>
<b>700000300 - Drinking or waste water tank round 53L</b>	<b>12</b>

### WASTE WATER TANKS

<b>Waste water tanks, volume 36 L, 47 L, 55 L, 70 L, or 90 L</b>	<b>13</b>
<b>700000211 - Waste water tank 75 L</b>	<b>14</b>
<b>700000250 – Insulation shell for 75 L waste water tank</b>	<b>15</b>
<b>700000290 - Waste water tank 100 L</b>	<b>16</b>
<b>700000271 - Waste water tank 95 L</b>	<b>17</b>
<b>700000220 - Waste water tank 67 L</b>	<b>18</b>
<b>700000280 - Waste water tank 90 L</b>	<b>19</b>

Our products are made of high-quality materials and comply with drinking water contact standards.

*Note: For detailed product specifications regarding weight, please contact your responsible sales representative.*

*In the case of future vehicle models released after the catalog publication, please consult the responsible sales representative regarding the suitability of the water tanks.*

Our product range includes reliable and durable tanks for drinking and waste water, suitable for various vehicle models.

In the catalogue you'll find:

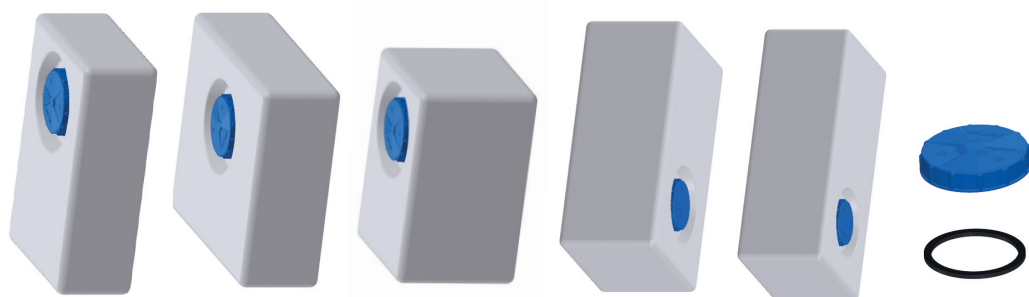
- ▶ Tanks in various dimensions and shapes
- ▶ Solutions for interior installation
- ▶ Spare parts



## BUILT FOR THE JOURNEY - WHERE MODULARITY MEETS MOBILITY

Ensure water is always where you need it – safely stored and efficiently discharged.

# DRINKING WATER TANKS



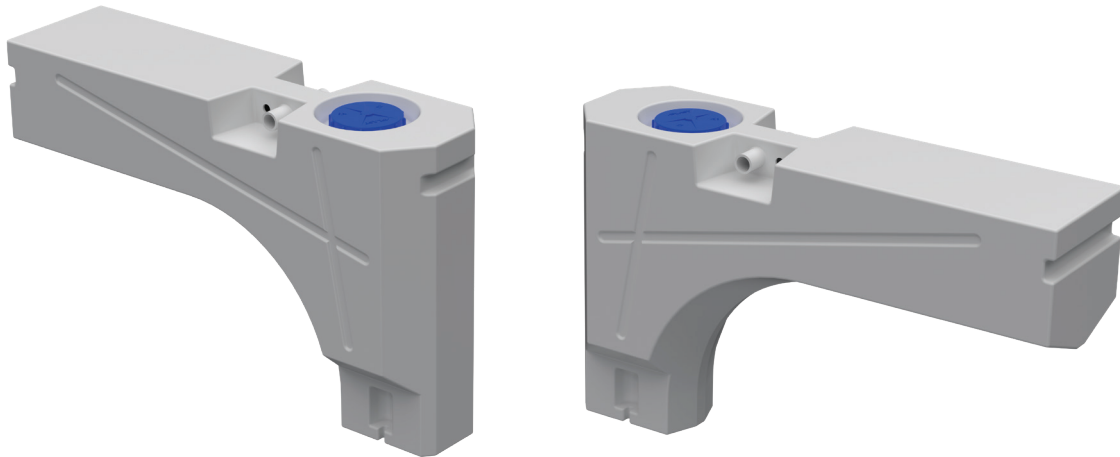
PICTURE	NAME	LENGTH (A)	WIDTH (B)	HEIGHT (C)	CENTRE LID (D) ø	ITEM NO.
	CARAVAN DRINKING WATER TANK 36 l	550	370	180	150	700000500
	CARAVAN DRINKING WATER TANK 47 l	480	330	300	150	700000505
	CARAVAN DRINKING WATER TANK 55 l	500	550	200	200	700000510
	CARAVAN DRINKING WATER TANK 70 l	700	400	300	200	700000515
	CARAVAN DRINKING WATER TANK 90 l	800	400	300	200	700000520
	CARAVAN COVER BLUE 140 mm	-	-	-	140	700010150
	CARAVAN COVER GASKET 120 - 140 mm	-	-	-	120 - 140	700010102

## ▶ DRINKING WATER TANK: UniSide

NEW

**Item no.:** 700000610  
**Volume:** 95 l  
**Material:** Polyethylene  
**Dimensions (cm):** 110,0 (length) x 29,0 (width) x 67,0 (height)  
**Weight (kg):** 7,5  
**Installation position:** On the wheel arch on the left or right  
**Vehicle type:** Fiat Ducato, Citroen Jumper, Peugeot Boxer, (all from vehicle model 2018), Mercedes Sprinter from vehicle model 2017, Ford Transit from vehicle model 2013, Renault Master from vehicle model 2010, RAM

**Spare parts:** Lid, blue, 140 mm; item no.: 700010150  
Gasket for lid, 120 – 140 mm; item no.: 700010102



## ▶ DRINKING WATER TANK: UniSide with outlet nozzle

NEW

**Item no.:** 700000612  
**Volume:** 95 l  
**Material:** Polyethylene  
**Dimensions (cm):** 110,0 (length) x 29,0 (width) x 67,0 (height)  
**Weight (kg):** 7,6  
**Installation position:** On the wheel arch on the left or right  
**Vehicle type:** Fiat Ducato, Citroen Jumper, Peugeot Boxer, (all from vehicle model 2018), Mercedes Sprinter from vehicle model 2017, Ford Transit from vehicle model 2013, RAM

**Spare parts:** Lid, blue, 140 mm; item no.: 700010150  
Gasket for lid, 120 – 140 mm; item no.: 700010102  
Drain plug - drinking water tank, item no.: 700010204

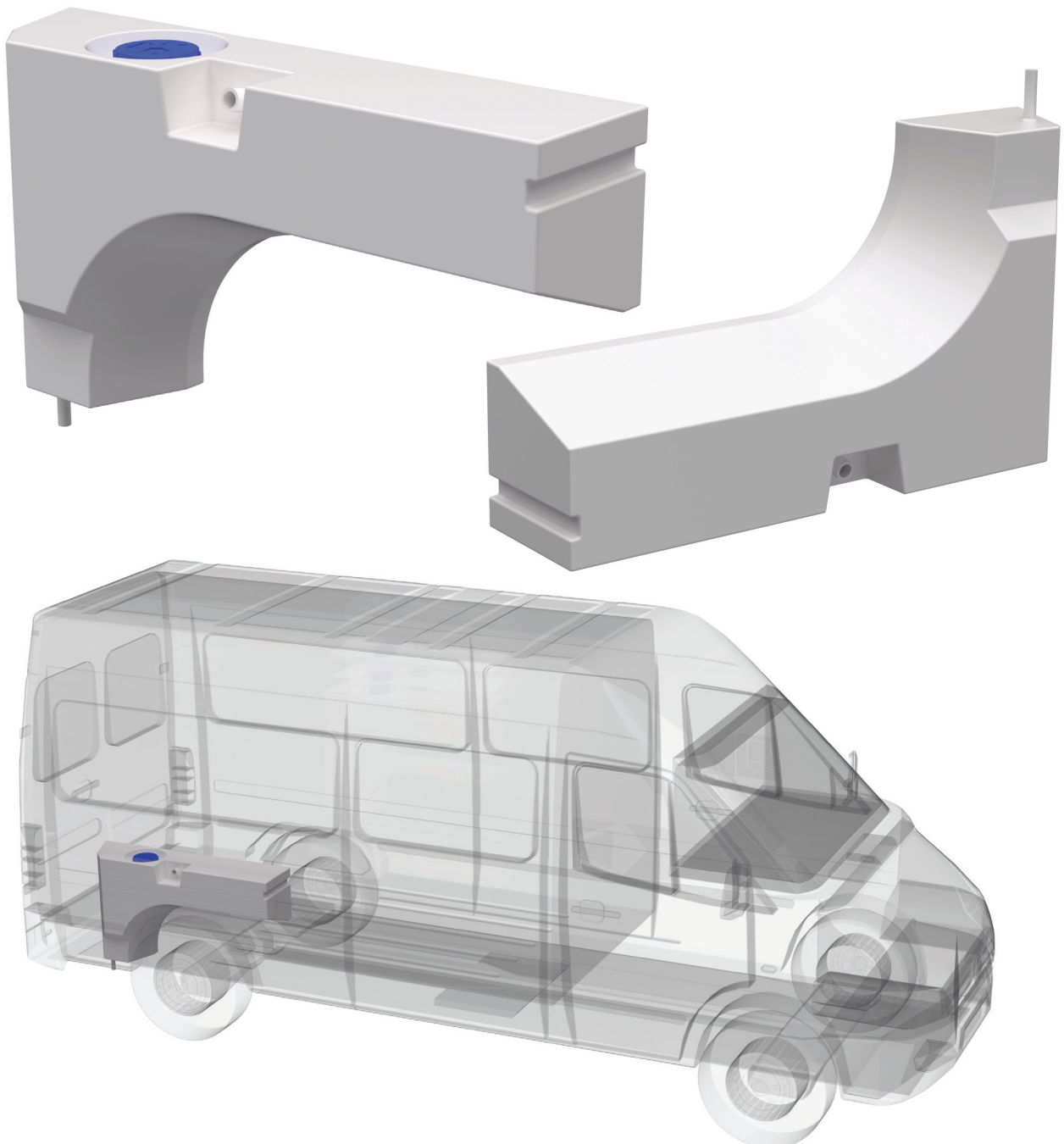


## ▶ DRINKING WATER TANK

<b>Item no.:</b>	70000600
<b>Volume:</b>	112 L
<b>Material:</b>	Polyethylene (W270)
<b>Dimensions (cm):</b>	125,3 (length) x 29,0 (width) x 67,0 (height; with an additional 10 cm outlet nozzle; total height is 77.0)
<b>Weight (kg):</b>	8,5
<b>Mounting position:</b>	On the wheel arch on the right back side
<b>Vehicle type:</b>	Fiat Ducato, Citroen Jumper, Peugeot Boxer (all from vehicle model 2018), Mercedes Sprinter from vehicle model 2017, Ford Transit from vehicle model 2013

**Also available without outlet nozzle (ID no.: 70000601). This model is also compatible with the Renault Master from the 2010 model onwards.**

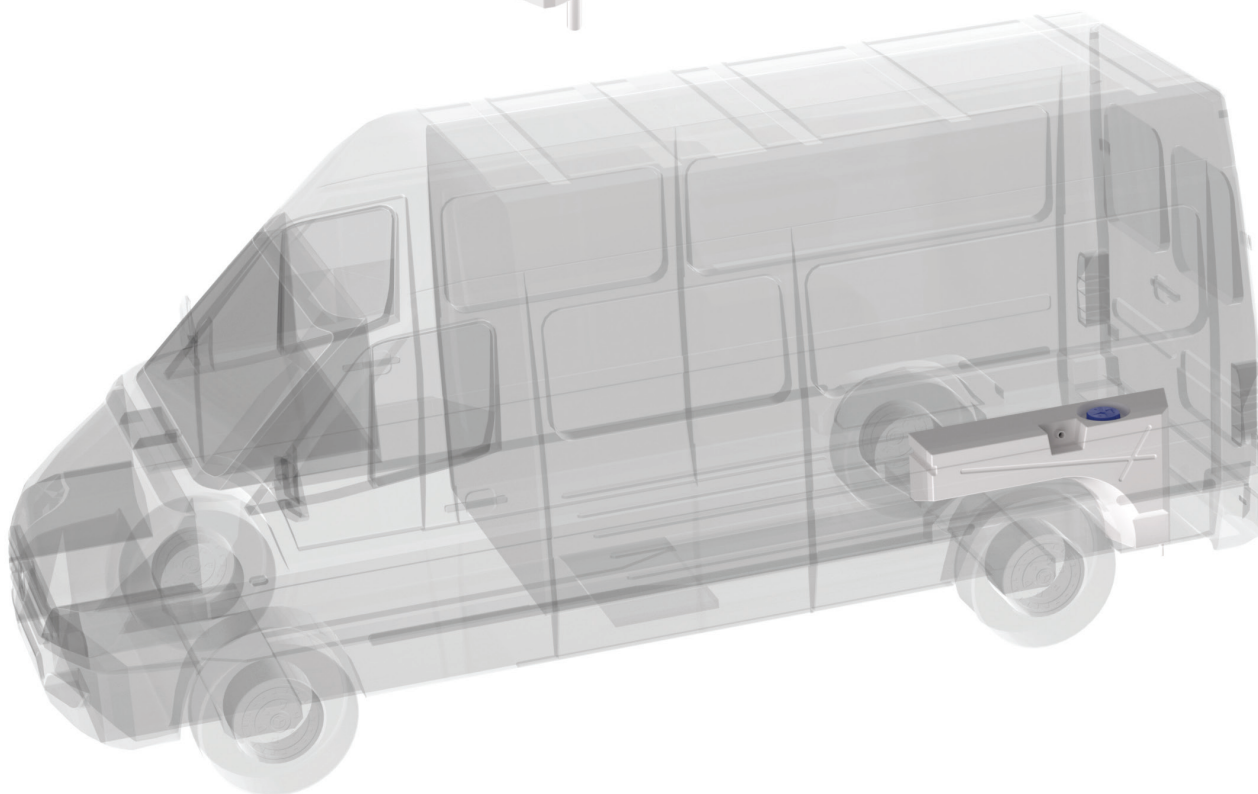
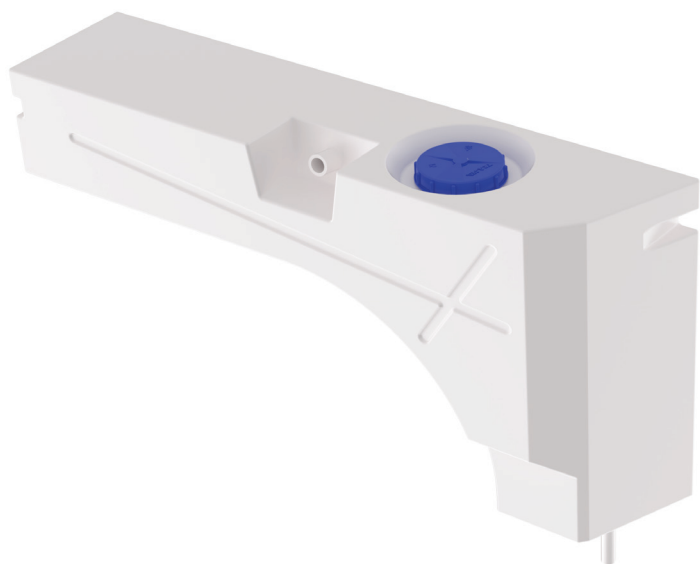
**Spare parts:** Lid, blue, 140 mm; item no.: 700010150  
Gasket for lid, 120–140 mm; item no.: 700010102  
Drain plug - drinking water tank, item no.: 700010204



## ▶ DRINKING WATER TANK

<b>Item no.:</b>	70000606
<b>Volume:</b>	112 L
<b>Material:</b>	Polyethylene (W270)
<b>Dimensions (cm):</b>	125,3 (length) x 29,0 (width) x 67,0 (height; with an additional 10 cm outlet nozzle; total height is 77.0)
<b>Weight (kg):</b>	8,5
<b>Mounting position:</b>	On the wheel arch on the left back side
<b>Vehicle type:</b>	Fiat Ducato, Citroen Jumper, Peugeot Boxer (all from vehicle model 2018), Mercedes Sprinter from vehicle model 2017, Ford Transit from vehicle model 2013

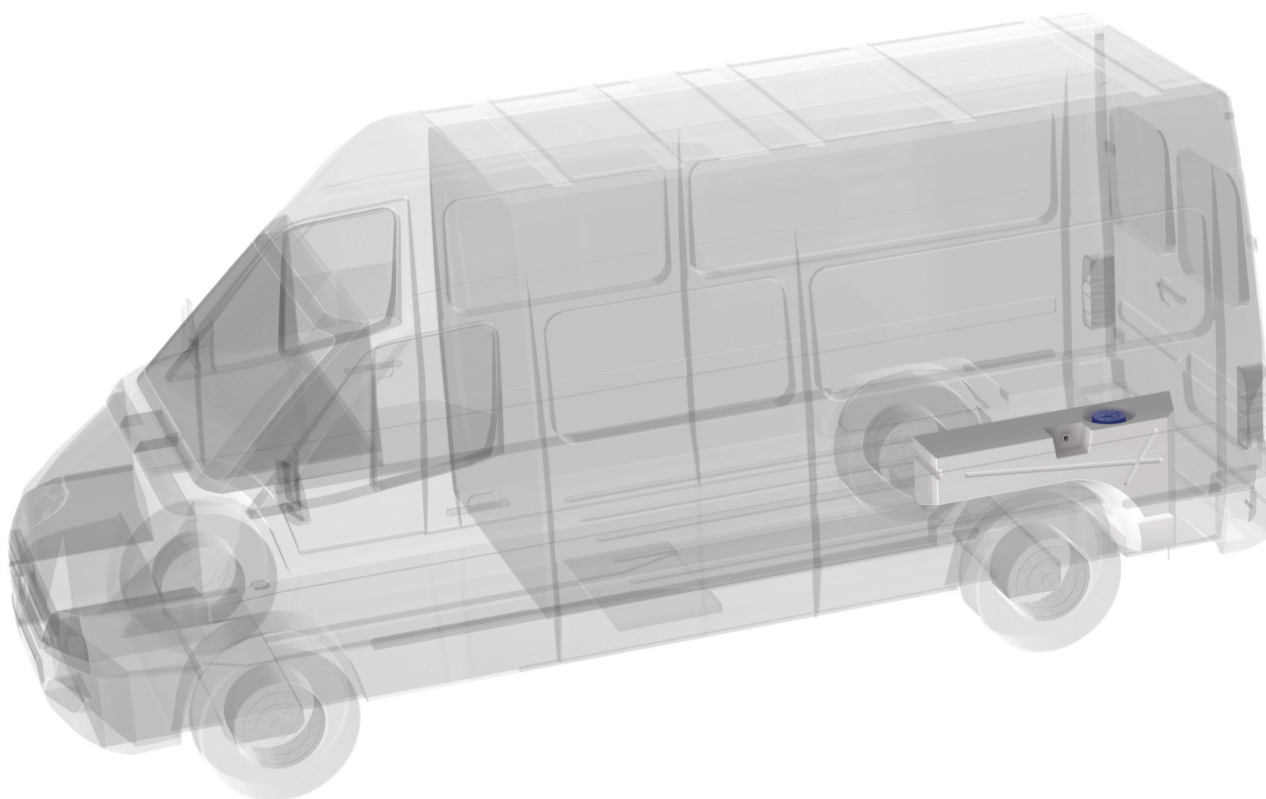
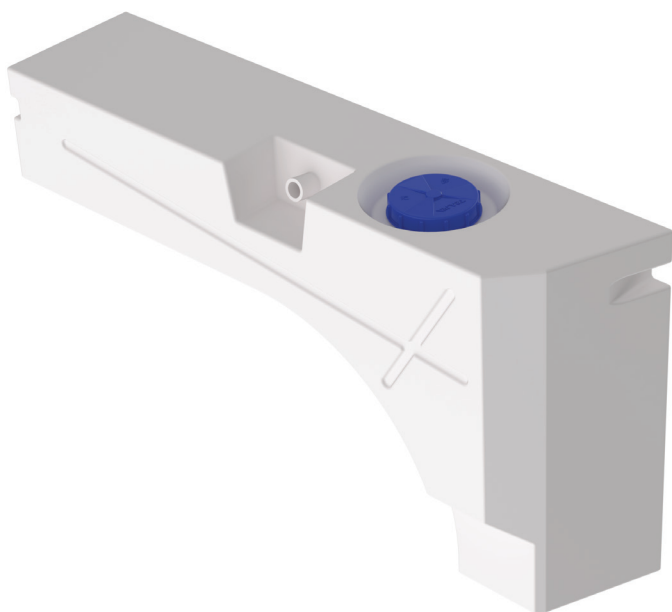
**Spare parts:** Lid, blue, 140 mm; item no.: 700010150  
Gasket for lid, 120–140 mm; item no.: 700010102  
Drain plug - drinking water tank, item no.: 700010204



## ▶ DRINKING WATER TANK

<b>Item no:</b>	70000605
<b>Volume:</b>	112 L
<b>Material:</b>	Polyethylene (W270)
<b>Dimensions (cm):</b>	125,3 (length) x 29,0 (width) x 67,0 (height) – this tank has no outlet nozzle
<b>Weight (kg):</b>	8,5
<b>Mounting position:</b>	On the wheel arch on the left back side
<b>Vehicle type:</b>	Fiat Ducato, Citroen Jumper, Peugeot Boxer (all from vehicle model 2018), Mercedes Sprinter from vehicle model 2017, Ford Transit from vehicle model 2013, Renault Master from vehicle model 2010

**Spare parts:** Lid, blue, 140 mm; item no.: 700010150  
Gasket for lid, 120–140 mm; item no.: 700010102



# DRINKING WATER TANK SET

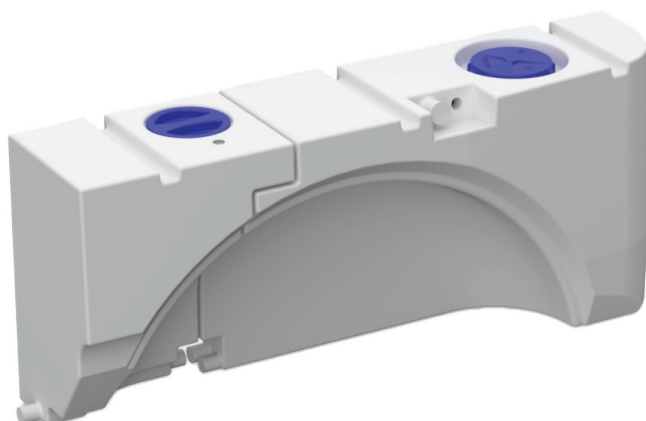


## ▶ DRINKING WATER TANK SET

<b>Item no.:</b>	700000720
<b>Volume:</b>	93 l
<b>Material:</b>	Polyethylene (W270)
<b>Dimensions (cm):</b>	118,5 (length) x 28,0 (width) x 49,4 (height)
<b>Weight (kg):</b>	12
<b>Mounting position:</b>	On the wheel arch on the left side
<b>Vehicle type:</b>	VW T6, VW Transporter (model 2025), Ford Transit Custom (exception: this tank set can not be installed in all of the listed vehicles with double sliding doors)

**Spare parts:** Lid, blue, 120 mm; item no.: 700010112  
Lid, blue, 140 mm; item no.: 700010150  
Gasket for lid, 120–140 mm; item no.: 700010102

**Note:** The tanks should be connected with a flexible pipe (a connection is only allowed if both tanks are used for drinking water).

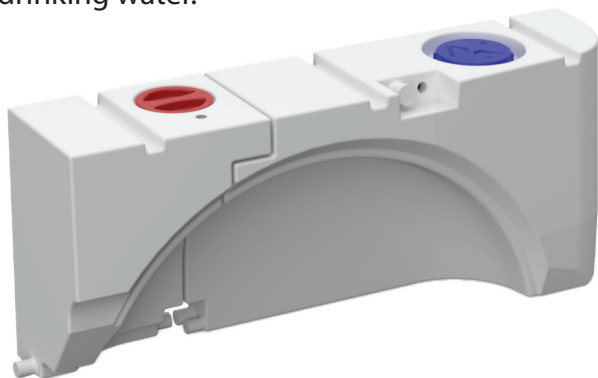


## ▶ DRINKING AND WASTE WATER TANK

<b>Item no.:</b>	700000721
<b>Volume:</b>	93 l
<b>Material:</b>	Polyethylene (W270)
<b>Dimensions (cm):</b>	118,5 (length) x 28,0 (width) x 49,4 (height)
<b>Weight (kg):</b>	12
<b>Mounting position:</b>	On the wheel arch on the left side
<b>Vehicle type:</b>	VW T6, VW Transporter (model 2025), Ford Transit Custom (exception: this tank set can not be installed in all of the listed vehicles with double sliding doors)

**Spare parts:** Lid, blue, 140 mm; item no.: 700010150  
Lid, red, 120 mm; item no.: 700010110  
Gasket for lid, 120–140 mm; item no.: 700010102

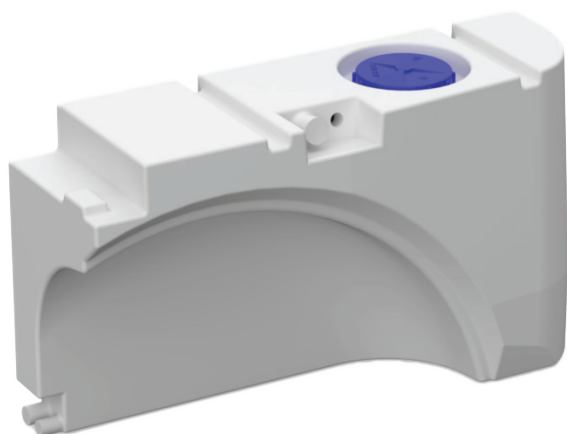
**Note:** It is not allowed to connect the drinking and waste water tank because waste water contaminates the drinking water.



## ▶ DRINKING WATER TANK

<b>Item no.:</b>	700000700
<b>Volume:</b>	65 l
<b>Material:</b>	Polyethylene (W270)
<b>Dimensions (cm):</b>	88,5 (length) x 28,0 (width) x 49,4 (height)
<b>Weight (kg):</b>	8
<b>Mounting position:</b>	On the wheel arch on the left side
<b>Vehicle type:</b>	VW T6, VW Transporter (model 2025), Ford Transit Custom (exception: this tank can be installed in all of the listed vehicles with double sliding doors, together with tank – article no.: 700000710 (28L), but only on the right side of the vehicle)

**Spare parts:** Lid, blue, 140 mm; item no.: 700010150  
Gasket for lid, 120–140 mm; item no.: 700010102

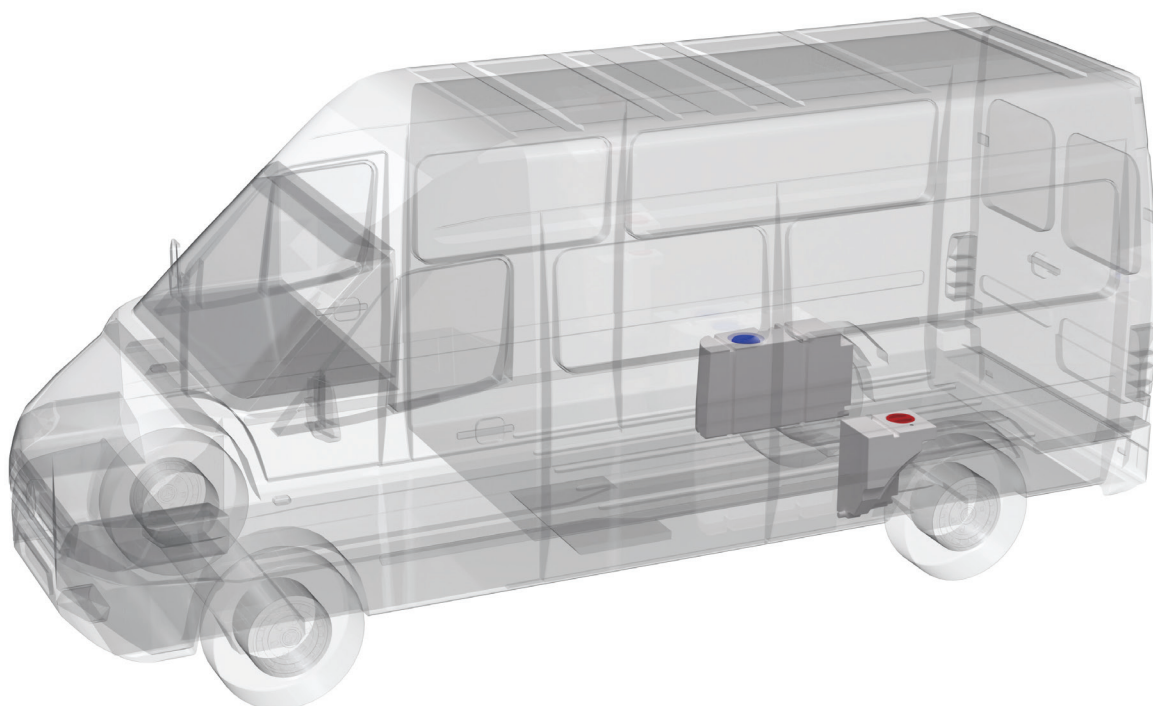


## ▶ TANK FOR DRINKING AND WASTE WATER

<b>Item no.:</b>	700000071
<b>Volume:</b>	28 l
<b>Material:</b>	Polyethylene (W270)
<b>Dimensions (cm):</b>	39,0 (length) x 28,0 (width) x 49,4 (height)
<b>Weight (kg):</b>	4
<b>Mounting position:</b>	on the wheel arch on both sides (fits left or right side)
<b>Vehicle type:</b>	VW T6, VW Transporter (model 2025), Ford Transit Custom (exception: this tank cannot be installed in all of the listed vehicles with double sliding doors, together with tank – article no.: 700000700 (65L))

**Spare parts:** Lid, red, 120 mm; item no: 700010110  
Lid, blue, 140 mm; item no.: 700010150  
Gasket for lid, 120–140 mm; item no.: 700010102

**Note:** It is not allowed to connect the drinking and waste water tank because waste water contaminates the drinking water.



## ▶ DRINKING OR WASTE WATER TANK

**Item no.:** 700000300

**Volume:** 53 l

**Material:** Polyethylene (W270)

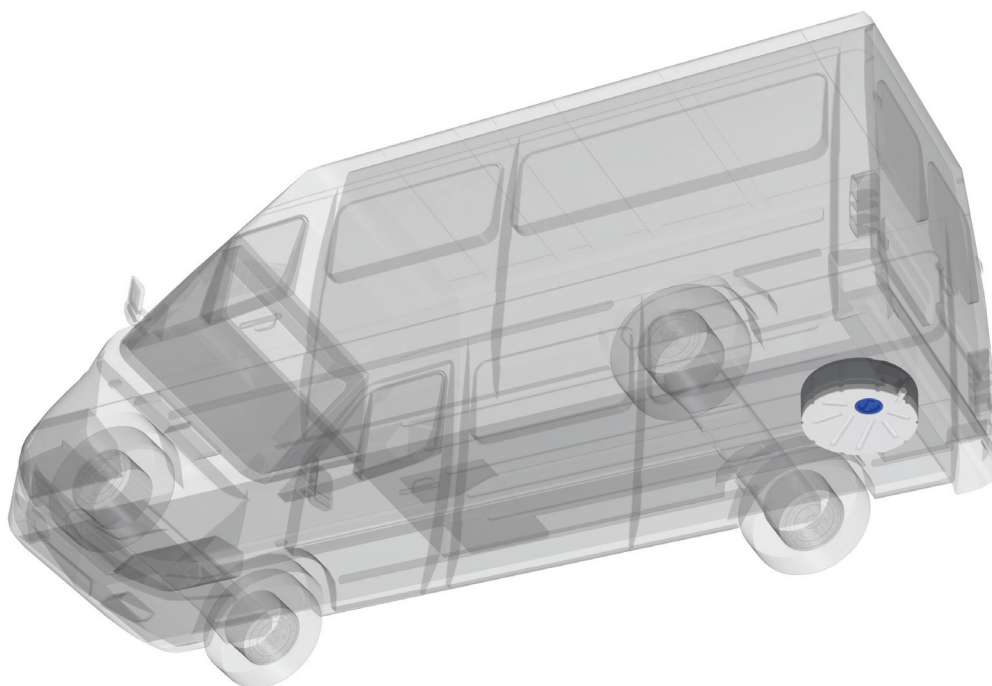
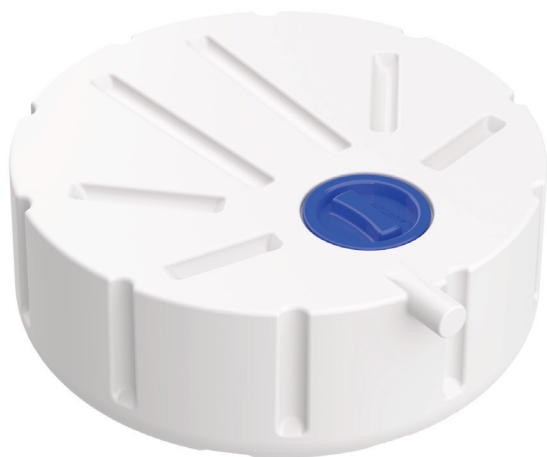
**Dimension (cm):** 62,0 (length) x 62,0 (width) x 22,5 (height)

**Weight (kg):** 5,5

**Mounting position:** In the underfloor area behind the rear axle instead of the spare wheel (tyre type 205/65-R16) - this tank can be installed where the diameter of the space for the spare wheel is 620 mm or more.

**Vehicle type:** VW T6, VW Transporter (model 2025), Ford Transit Custom, Ford Transit Furgon

**Spare parts:** Lid, blue, 120 mm; item no.: 700010112  
Gasket for lid, 120–140 mm; item no.: 700010102



# WASTE WATER TANKS



PICTURE	NAME	LENGTH (A)	WIDTH (B)	HEIGHT (C)	CENTRE LID (D) ø	ITEM NO.
	CARAVAN WASTE WATER TANK 36 l	550	370	180	150	700000100
	CARAVAN WASTE WATER TANK 47 l	480	330	300	150	700000105
	CARAVAN WASTE WATER TANK 55 l	500	550	200	200	700000110
	CARAVAN WASTE WATER TANK 70 l	700	400	300	200	700000115
	CARAVAN WASTE WATER TANK 90 l	800	400	300	200	700000120
	CARAVAN COVER RED 140 mm	-	-	-	140	700010152
	CARAVAN COVER GASKET 120 – 140 mm	-	-	-	120 - 140	700010102

## ► WASTE WATER TANK

**Item no.:** 700000211

**Volume:** 75 l

**Material:** Polyethylene

**Dimension (cm):** 94,0 (length) x 75,0 (width) x 23,7 (height)

**Weight (kg):** 10

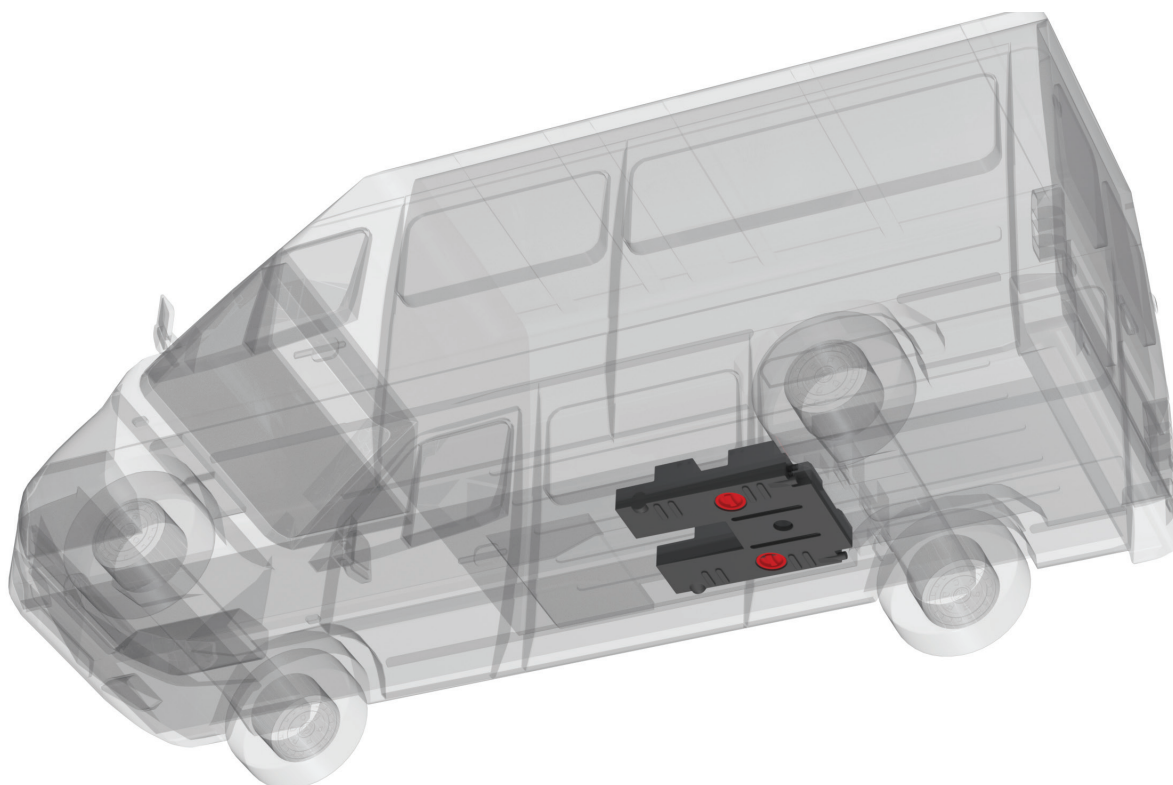
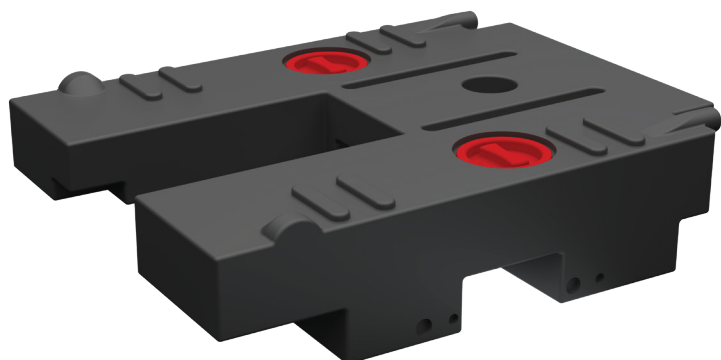
**Mounting position:** In the chassis area in front of the rear axle

**Vehicle type:** Fiat Ducato, Peugeot Boxer and Citroen Jumper (all from vehicle model 2018)

This tank is not suitable for L1-type vehicles.

**Spare parts:** Lid, red, 120 mm; item no.: 700010110

Gasket for lid, 120–140 mm; item no.: 700010102



## ► INSULATION SHELL FOR THE WASTE WATER TANK 75 L

<b>Item no.:</b>	700000250
<b>Insulation thickness:</b>	30 mm
<b>Volume (mm):</b>	102,2 (length) x 82,0 (width) x 31,0 (height), both parts together
<b>Weight (kg):</b>	2,5
<b>Technical properties of material:</b>	BASF 9230K EPP (expanded polypropylene)
<b>Thermal conductivity of the material:</b>	0,040 W/mK (by DIN 52612)
<b>Density:</b>	60 g/l
<b>Colour:</b>	Black



## ► WASTE WATER TANK

**Item no.:** 700000290

**Volume:** 100 l

**Material:** Polyethylene

**Dimension (cm):** 98,2 (length) x 85,0 (width) x 22,9 (height)

**Weight (kg):** 12

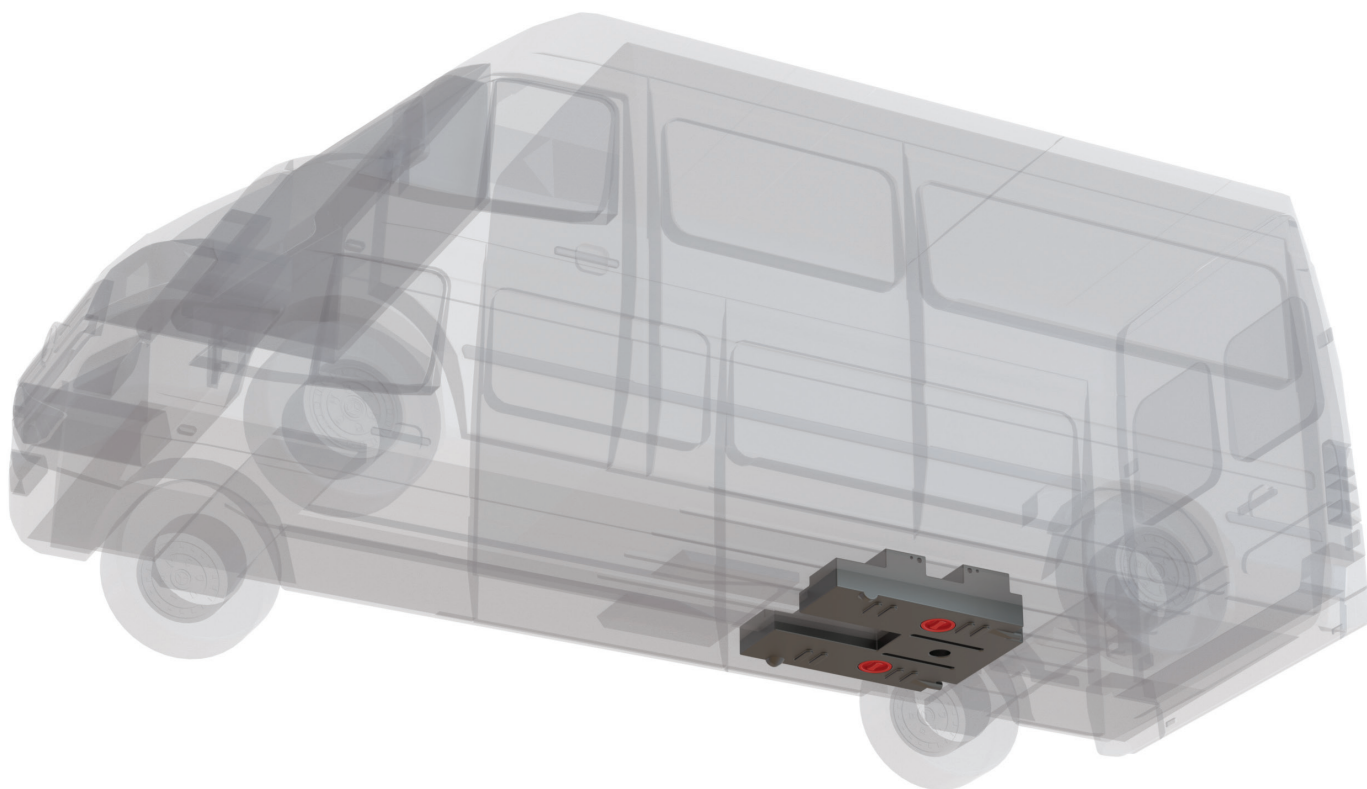
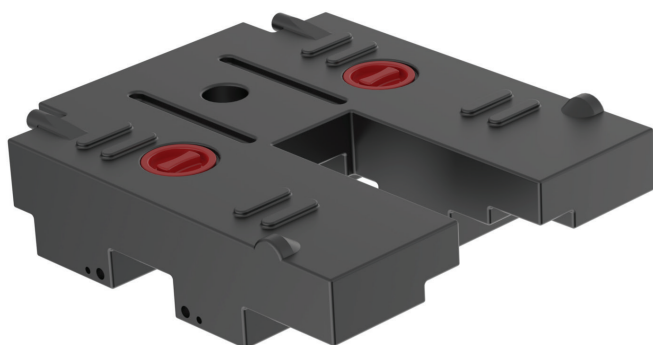
**Mounting position:** In the chassis area in front of the rear axle

**Vehicle type:** Fiat Ducato, Peugeot Boxer and Citroen Jumper (all from vehicle model 2018)

This tank is not suitable for L1-type vehicles.

**Spare parts:** Lid, red, 120 mm; item no.: 700010110

Gasket for lid, 120–140 mm; item no.: 700010102



## ► WASTE WATER TANK

**Item no.:** 700000271

**Volume:** 95l

**Material:** Polyethylene

**Dimension (cm):** 107,0 (length) x 70,0 (width) x 23,8 (height)

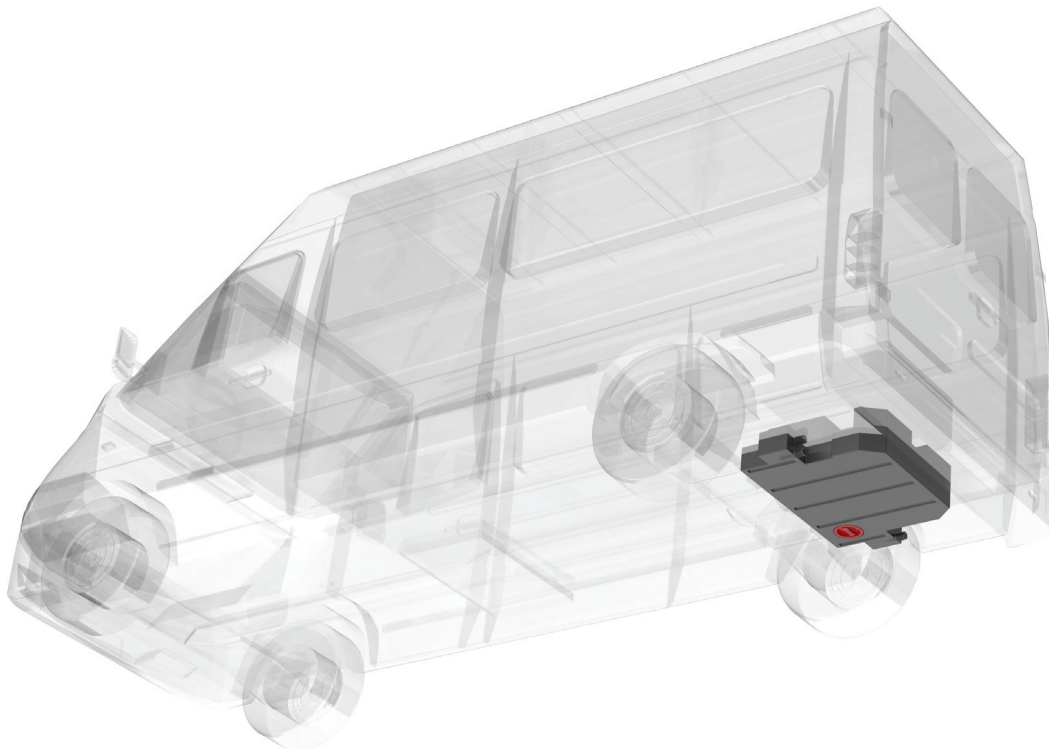
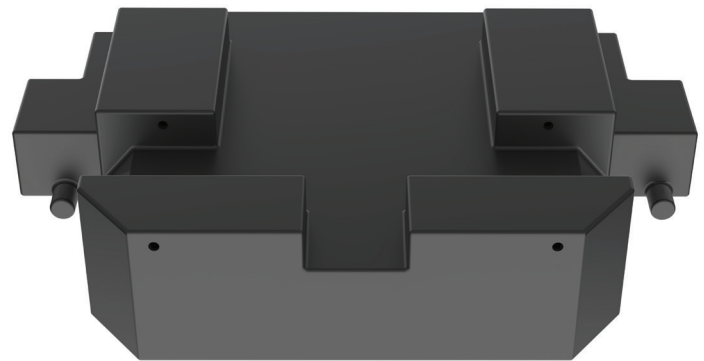
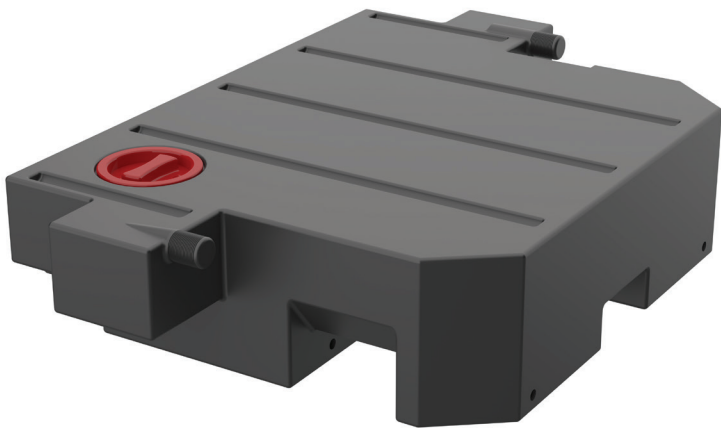
**Weight (kg):** 11

**Mounting position:** In the chassis area behind the rear axle

**Vehicle type:** Mercedes-Benz Sprinter and Mercedes-Benz Sprinter 4x4, MAN TGE, VW Crafter (all models from 2017 onward). This tank is not suitable for L1-type vehicles.

**Spare parts:** Lid, red, 120 mm; item no.: 700010110

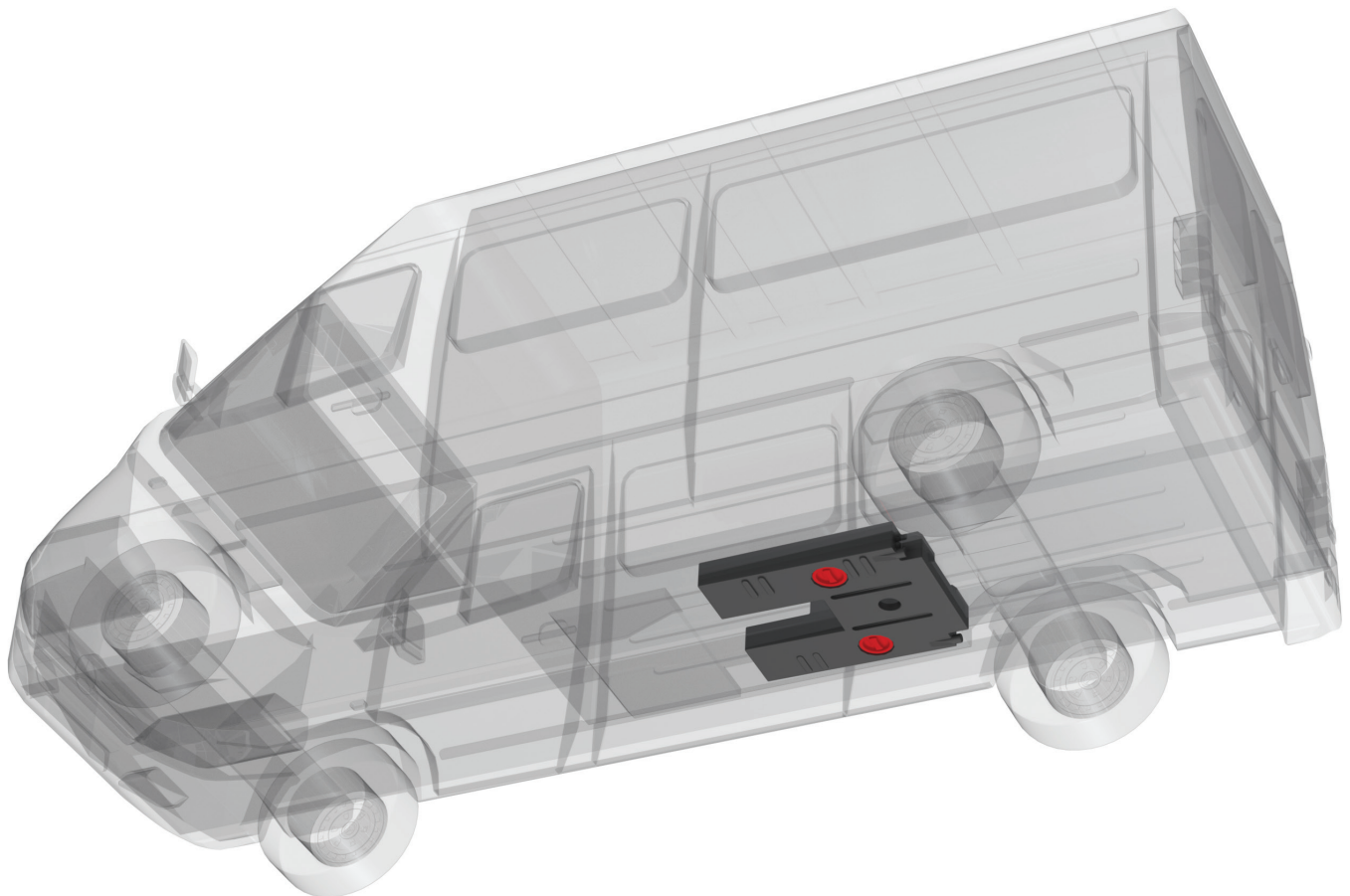
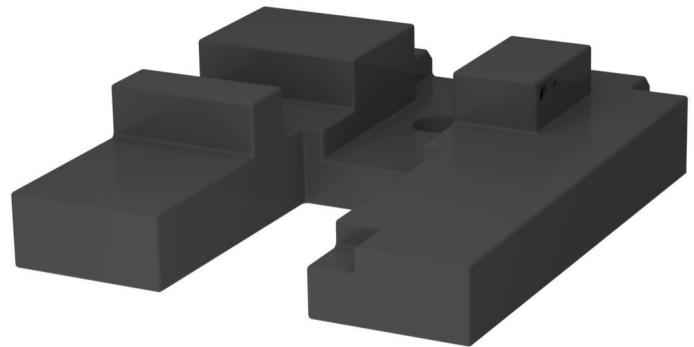
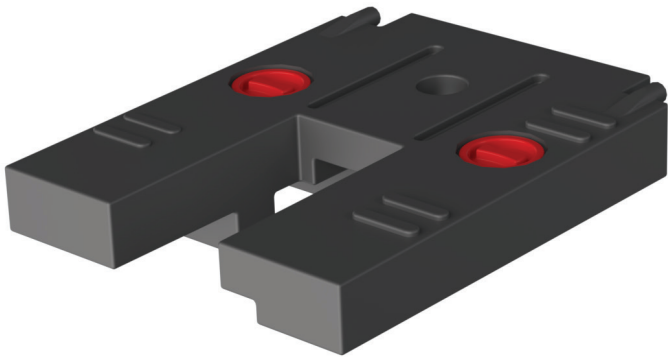
Gasket for lid, 120–140 mm; item no.: 700010102



## ► WASTE WATER TANK

<b>Item no.:</b>	700000220
<b>Volume:</b>	67 l
<b>Material:</b>	Polyethylene
<b>Dimension (cm):</b>	94,0 (length) x 75,0 (width) x 23,7 (height)
<b>Weight (kg):</b>	10,5
<b>Mounting position:</b>	In the chassis area in front of the rear axle
<b>Vehicle type:</b>	Renault Master from vehicle model 2010 This tank is not suitable for vehicle type L1 and L2. Not suitable for four wheel drive.

**Spare parts:** Lid, red, 120 mm; item no.: 700010110  
Gasket for lid, 120–140 mm; item no.: 700010102



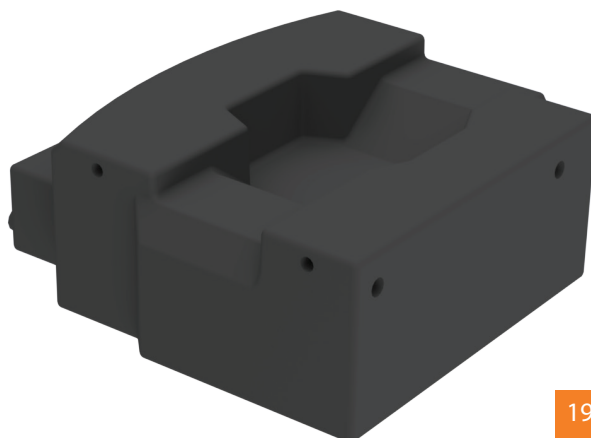
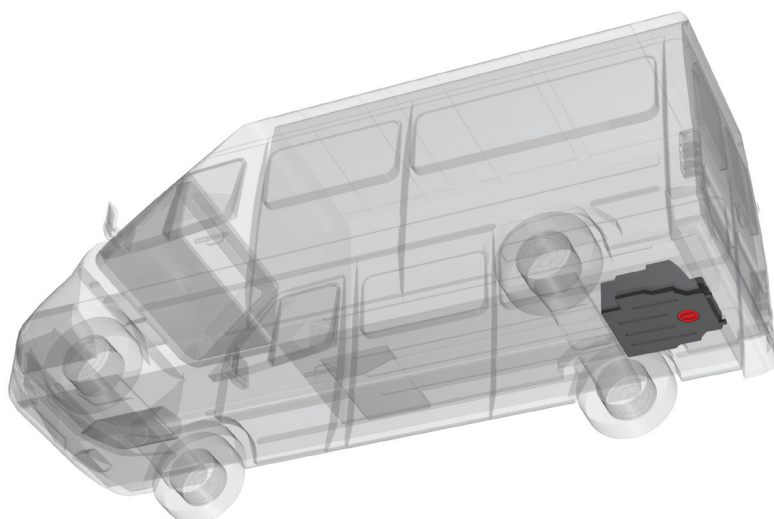
# WASTE WATER TANKS



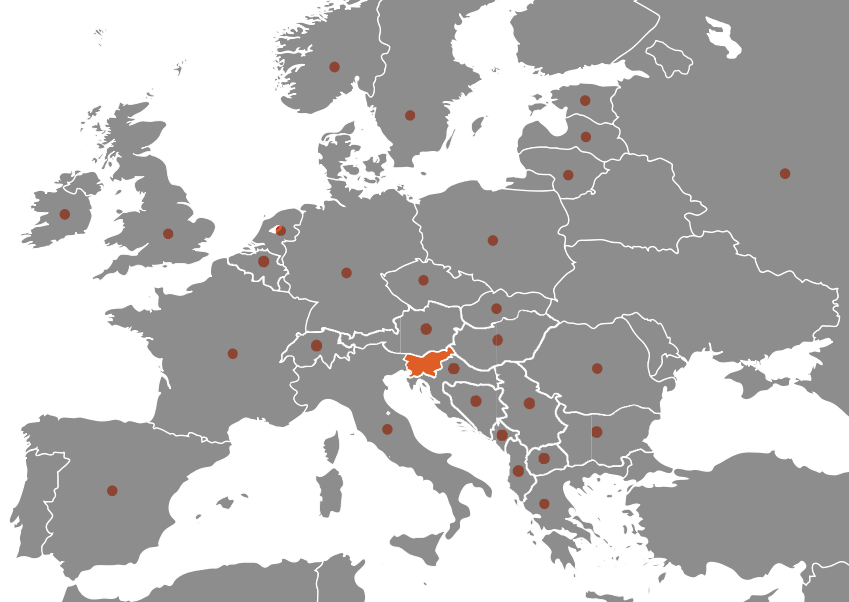
## ► WASTE WATER TANK

- Item no.:** 700000280  
**Volume:** 90 l  
**Material:** Polyethylene  
**Dimension (cm):** 73,8 (length) x 72,0 (width) x 27,8 (height)  
**Weight (kg):** 9,5  
**Mounting position:** In the chassis area behind the rear axle  
**Vehicle type:** Ford Transit, from 2015 onwards (L2, L3, L4)

**Spare parts:** Lid, red, 120 mm; item no.: 700010110  
Gasket for lid, 120–140 mm;  
item no.: 700010102



# APLAST PRODUCTS EXPORTED IN FOLLOWING COUNTRIES ...



## IDEA



Based on an idea, improvements and technical data, we prepare a development project, whose end result is a plastic, custom-made product. In doing so, we consider the economic, technical and execution aspects as much as possible.

## TOOLMAKING PLANT



We have mastered all the necessary technology for manufacturing high-quality moulds for rotational moulding. The tool manufacturing process encompasses modelling, technical documentation, manufacturing a sheet metal mould, or a steel or aluminium mould using CNC milling and sandblasting.

## PRODUCTION ROTOMOULDING



Rotational shaping of plastic masses is a production method used for manufacturing plastic products. It differs from all other process methods by the fact that the eating, melting, shaping and cooling stages take place only after we insert the polymer into the mould and that external pressure is not needed during the shaping process.

## PRODUCTION PLASTICS INJECTION MOULDING



Due to the increasing needs for a combination of plastic rotomoulding products and injected parts we have also taken up the injection moulding of products. For this purpose, an injection moulding system for the production of pieces up to 1kg in weight is used.

## CONTROL OF PRODUCTION AND PRODUCTS



ISO 9001 and ISO 14001 has brought systematic thinking into our company and the realisation that everything we do is important for quality. Drinking water tanks are manufactured from HDPE materials in accordance with the DVGW-W270 standards.

## STORAGE AND DISPATCH OF GOODS



Aplast infrastructure comprises 14.000 m<sup>2</sup> of covered surfaces of business, production, assembly, storage facilities; machines and devices for making rotomoulding products, metal elements and the final assembly of products.

January 2026 | We reserve the right to printing errors and technical changes. The sketches are for illustrative purposes only.



APLAST proizvodnja in trgovina, d. o. o.  
Ložnica pri Žalcu 37, 3310 Žalec, Slovenija  
[www.aplast.si](http://www.aplast.si) | [info@aplast.si](mailto:info@aplast.si)

ISO 9001  
ISO 14001

BUREAU VERITAS  
Certification



YOUR RETAILER:

